

4

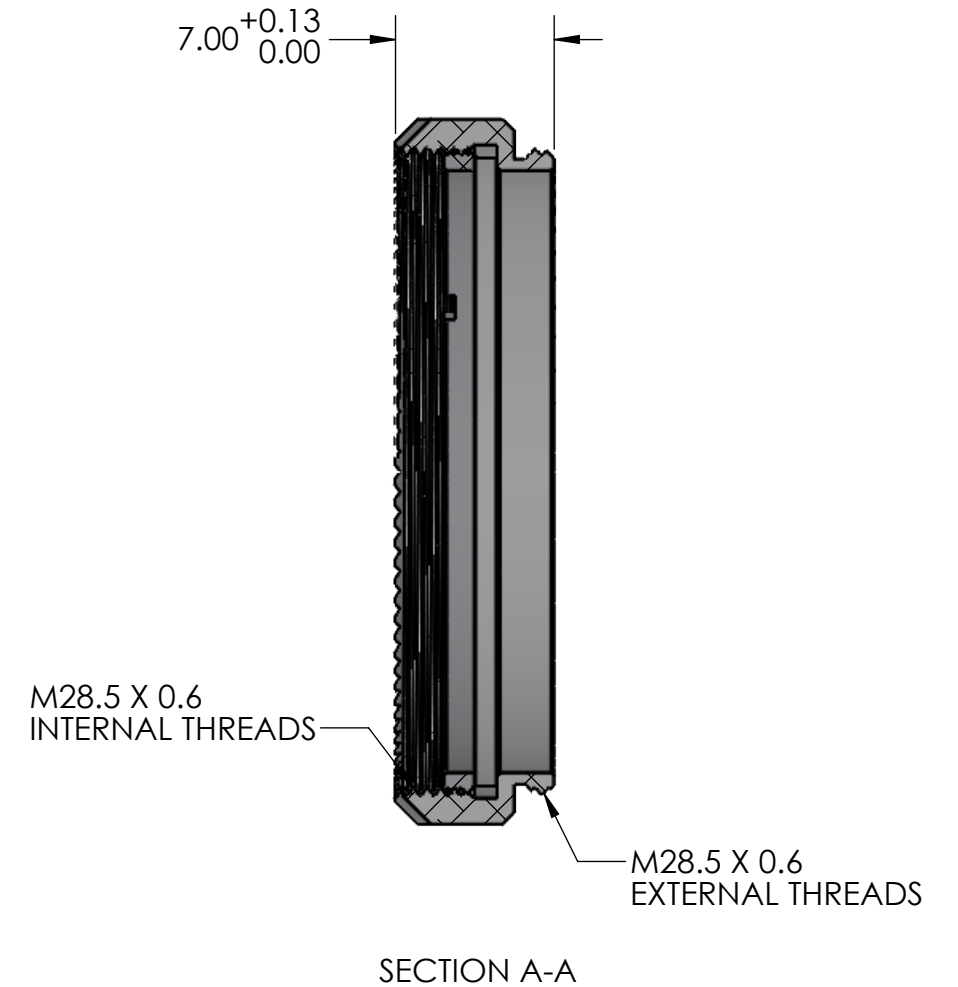
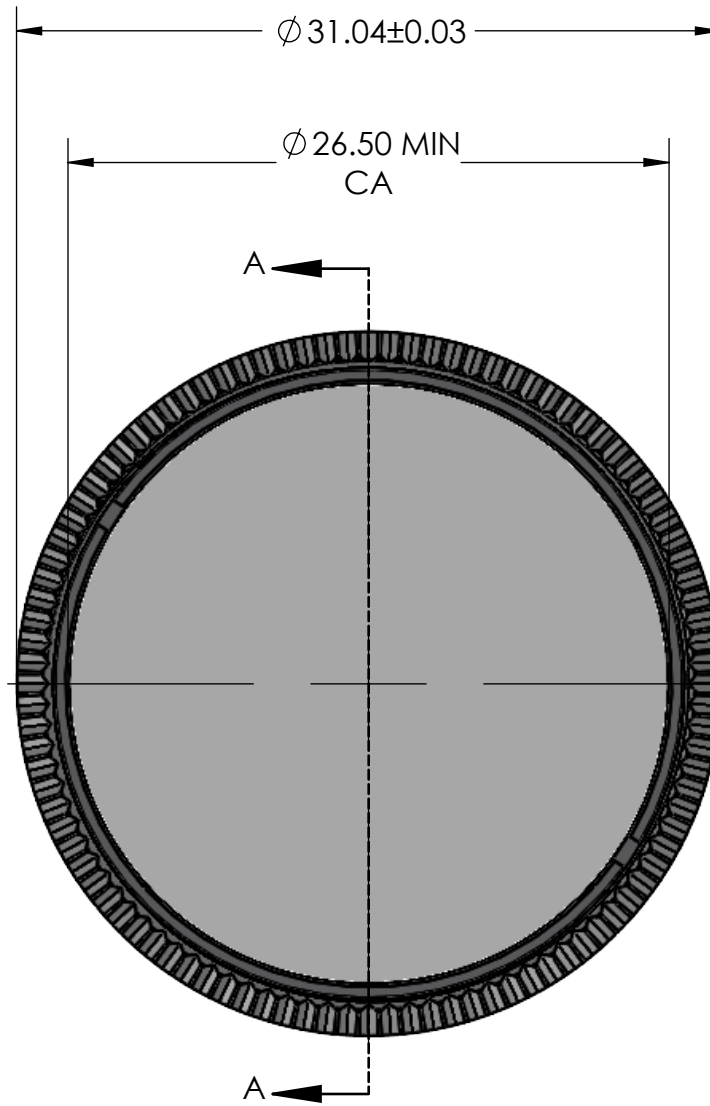
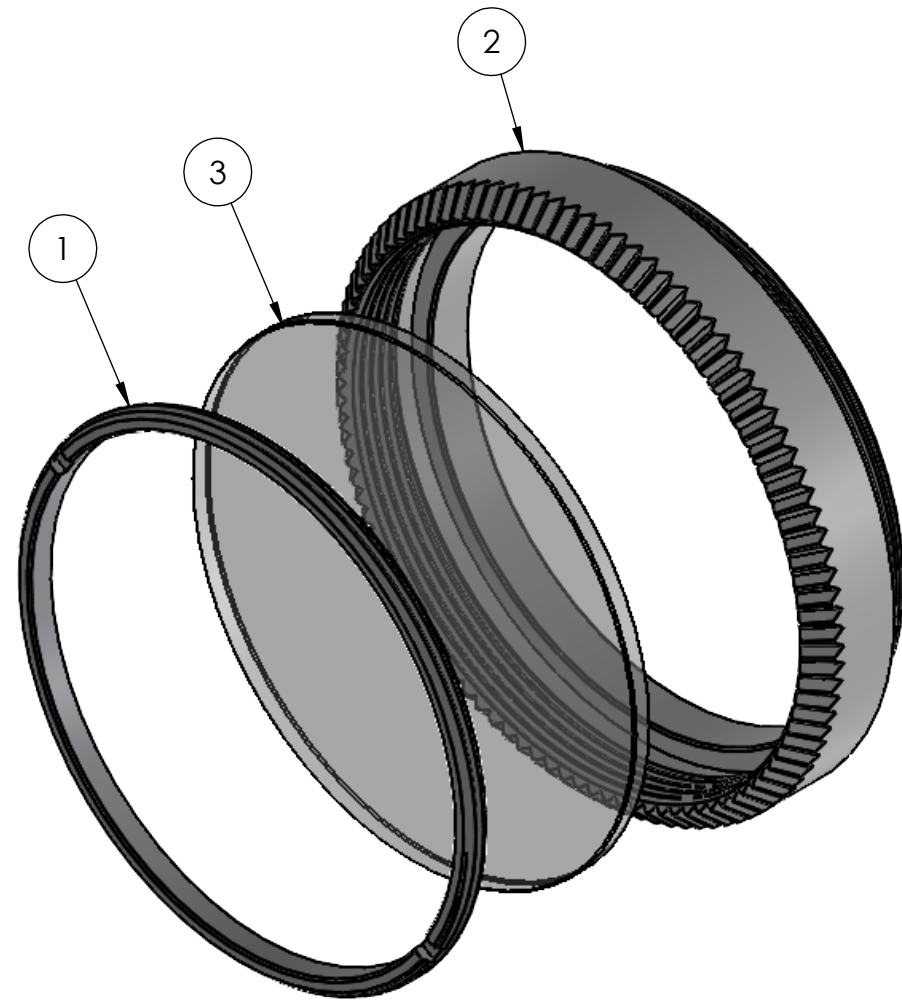
3

2

1

ITEM NO.	DESCRIPTION	QTY.
1	M28.5 RING RETAINER	1
2	M28.5 RING BODY	1
3	CHROMA FILTER	1

REVISIONS		
REV	DESCRIPTION	DATE
A	INITIAL RELEASE	10/28/2020



NOTES:  
 1. ASSEMBLY IS ALSO REFERRED TO AS 1.25" EYEPIECE

TITLE CAMRNG_M28.5XP0.60_7.00_26.50_THREADED_RETAINER_ALUM_SALES		DRAWN BY CRP	NAME CRP	DATE 10/12/2022	UNLESS OTHERWISE SPECIFIED: DIMENSIONS ARE IN MILLIMETERS TOLERANCES: FRACTIONAL: $\pm 1/64$ ANGULAR: MACH $\pm 0.5^\circ$ BEND $\pm 0.5^\circ$ .x $\pm .2$ .x $\pm .1$ .xx $\pm .05$
ID 046242_SALES	SCALE 3:1	MTHDS APPR. SLS	NAME SLS	DATE 10/12/2022	
SIZE B	SHEET 1 OF 1	REVISION A	ENG APPR. NJG	DATE 10/12/2022	
COMMENTS DO NOT SCALE DRAWING					
MATERIAL:					FINISH:

CHROMA TECHNOLOGY CORP



4

3

2

1

B

B

A

A