

4

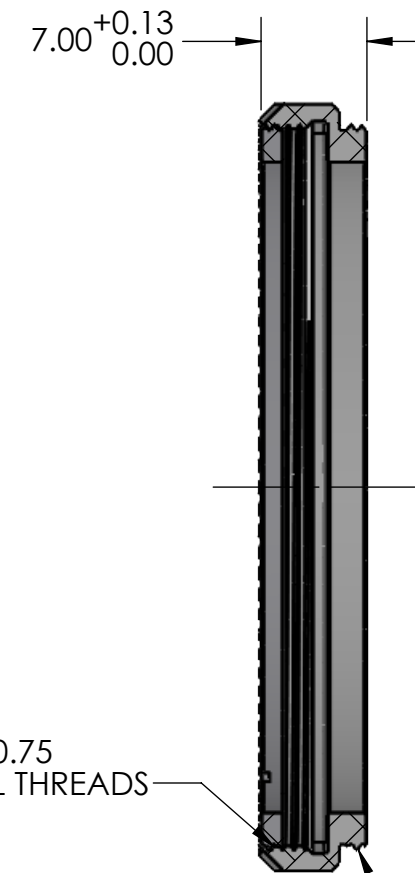
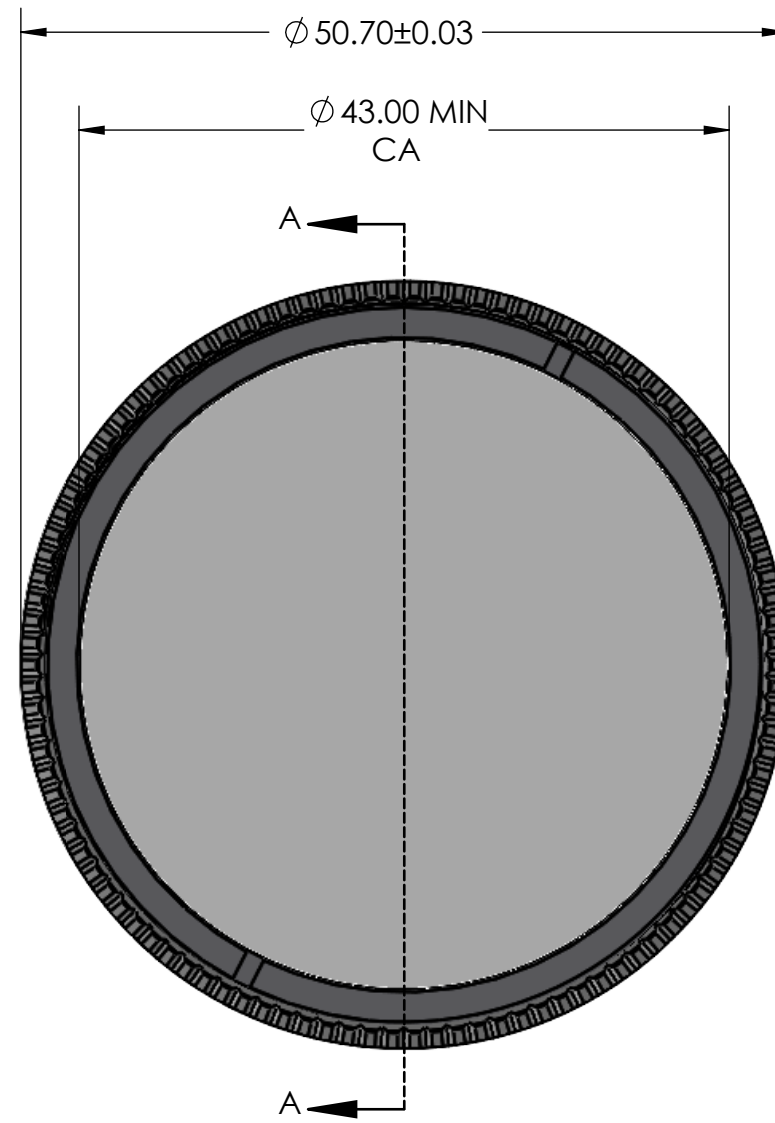
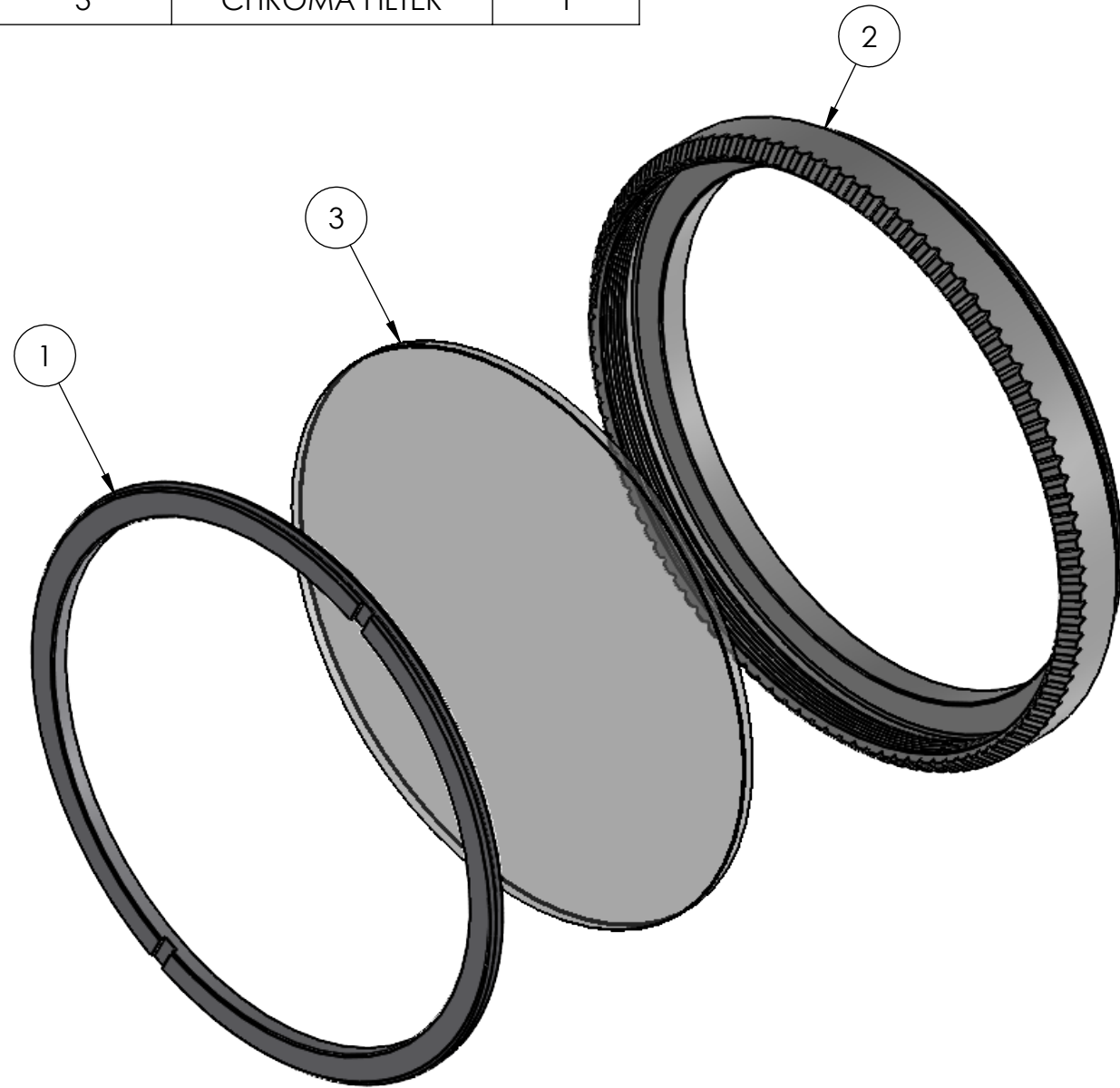
3

2

1

ITEM NO.	DESCRIPTION	QTY.
1	M48.0 RING RETAINER	1
2	M48.0 RING BODY	1
3	CHROMA FILTER	1

REVISIONS		
REV	DESCRIPTION	DATE
A	INITIAL RELEASE	11/11/2022



M48.0 X 0.75
INTERNAL THREADS

M48.0 X 0.75
EXTERNAL THREADS

SECTION A-A

TITLE CAMRNG_M48.0XP0.75_7.00_ 43.00_THREADED RETAINER_ALUM_SALES		DRAWN BY CRP	NAME CRP	DATE 11/11/2022	UNLESS OTHERWISE SPECIFIED: DIMENSIONS ARE IN INCHES TOLERANCES: FRACTIONAL ± 1/64 ANGULAR: MACH ± 0.5° BEND ± 0.5° .x ± .02 .xx ± .01 .xxx ± .005
ID 043486_SALES	SCALE 2:1	MTHDS APPR.	ENG APPR.	COMMENTS	
SIZE B	SHEET 1 OF 1	REVISION A	DO NOT SCALE DRAWING		MATERIAL:
					FINISH:

CHROMA TECHNOLOGY CORP



4

3

2

1

B

B

A

A