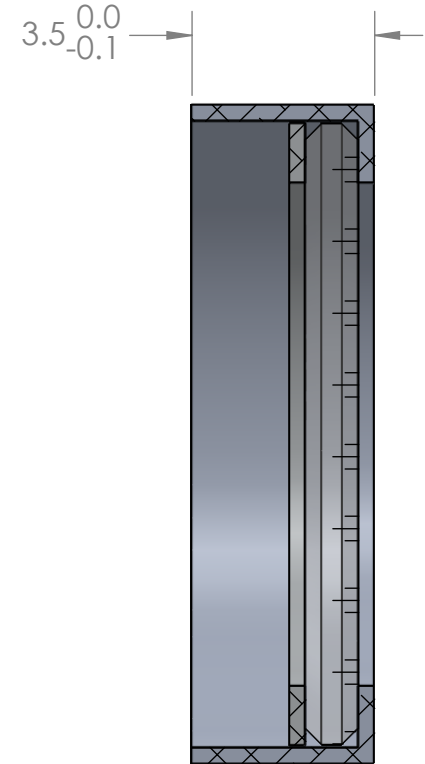
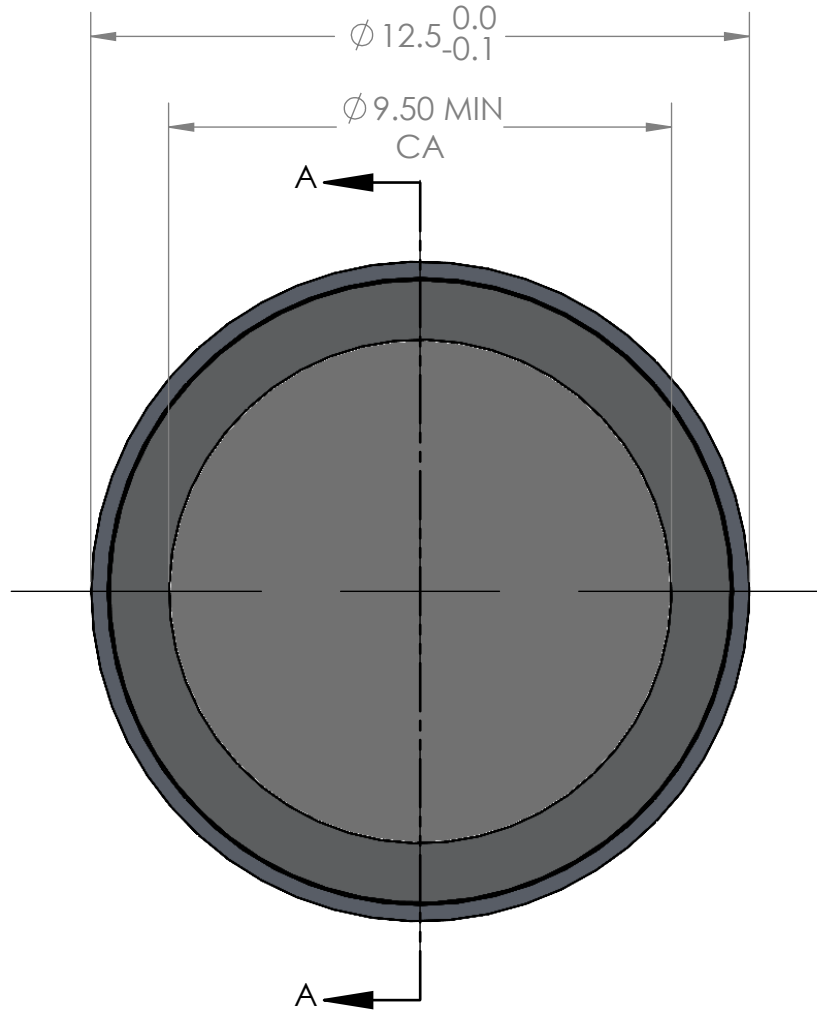
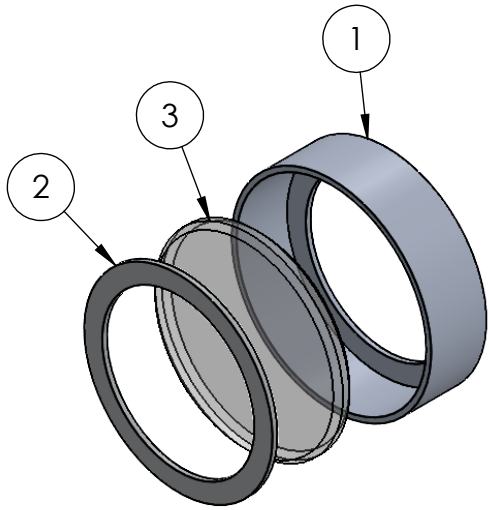



ITEM NO.	DESCRIPTION	QTY.
1	RNG_12.5_3.5_9.5	1
2	WSR_12.5_XX_9.5	1
3	CHROMA FILTER	1

REVISIONS		
REV	DESCRIPTION	DATE
A	INITIAL RELEASE	2/5/2021



SECTION A-A

TITLE RNGASSM_12.5_3.5_9.5_SALES		NAME	DATE	UNLESS OTHERWISE SPECIFIED: DIMENSIONS ARE IN MILLIMETERS TOLERANCES: FRACTIONAL $\pm 1/64$ ANGULAR: MACH $\pm 0.5^\circ$ BEND $\pm 0.5^\circ$ x. ± 2 .x ± 1 .xx ± 0.05	CHROMA TECHNOLOGY CORP 
ID 003984_SALES		DRAWN BY CRP	2/5/2021		
SCALE 7:1		MTHDS APPR.		MATERIAL:	FINISH:
SIZE A	SHEET 1 OF 1	ENG APPR.			
REVISION A		PRD ENG APPR.	N/A	COMMENTS	