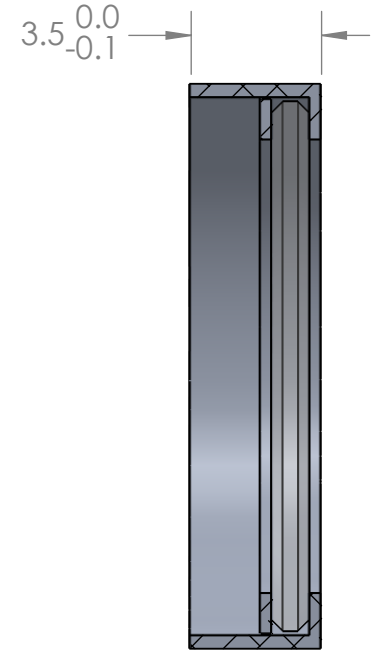
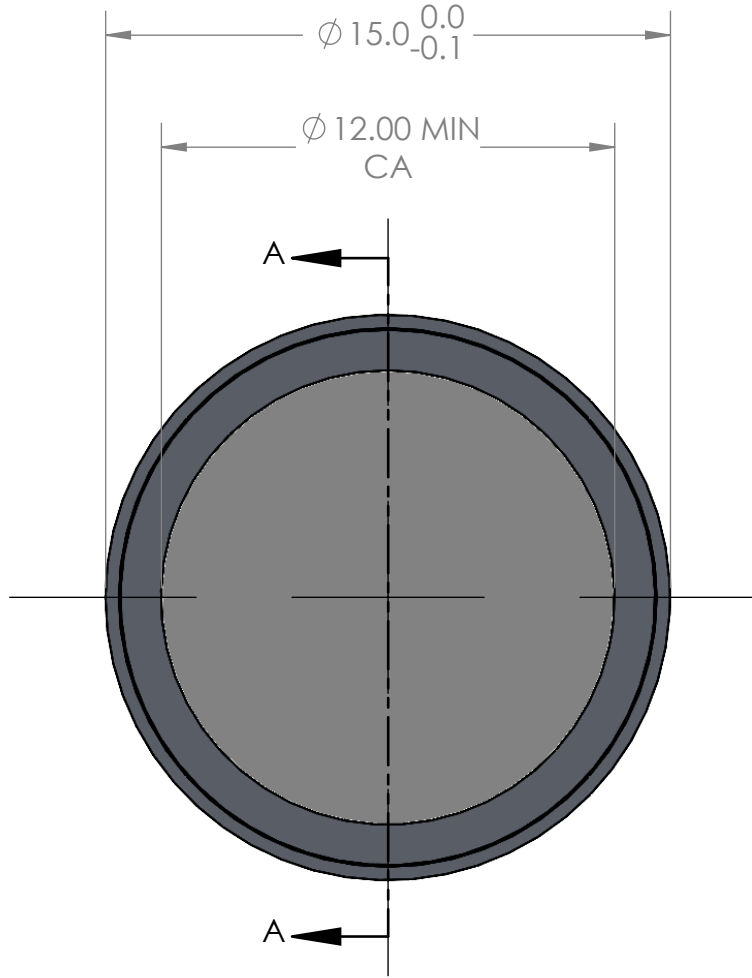
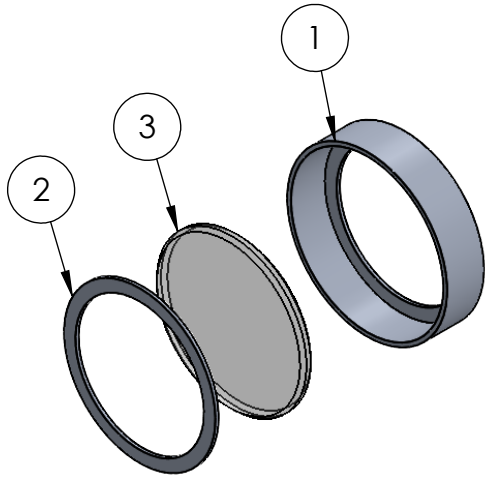



ITEM NO.	DESCRIPTION	QTY.
1	RNG_15_3.5_12	1
2	WSR_15_XX_12	1
3	CHROMA FILTER	1

REVISIONS		
REV	DESCRIPTION	DATE
A	INITIAL RELEASE	2/5/2021



SECTION A-A

TITLE RNGASSM_15_3.5_12_SALES		NAME	DATE	UNLESS OTHERWISE SPECIFIED: DIMENSIONS ARE IN MILLIMETERS TOLERANCES: FRACTIONAL: $\pm 1/64$ ANGULAR: MACH $\pm 0.5^\circ$ BEND $\pm 0.5^\circ$ x. ± 2 .x ± 1 .xx ± 0.05	CHROMA TECHNOLOGY CORP 	
		DRAWN BY	CRP			2/5/2021
		MTHDS APPR.				
		ENG APPR.				
ID 008872_SALES	SCALE 5:1	PRD ENG APPR.	N/A	MATERIAL:		
SIZE A	SHEET 1 OF 1	REVISION A	COMMENTS	FINISH:		