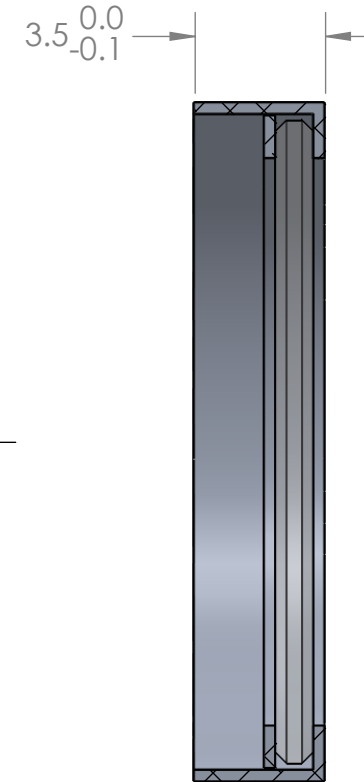
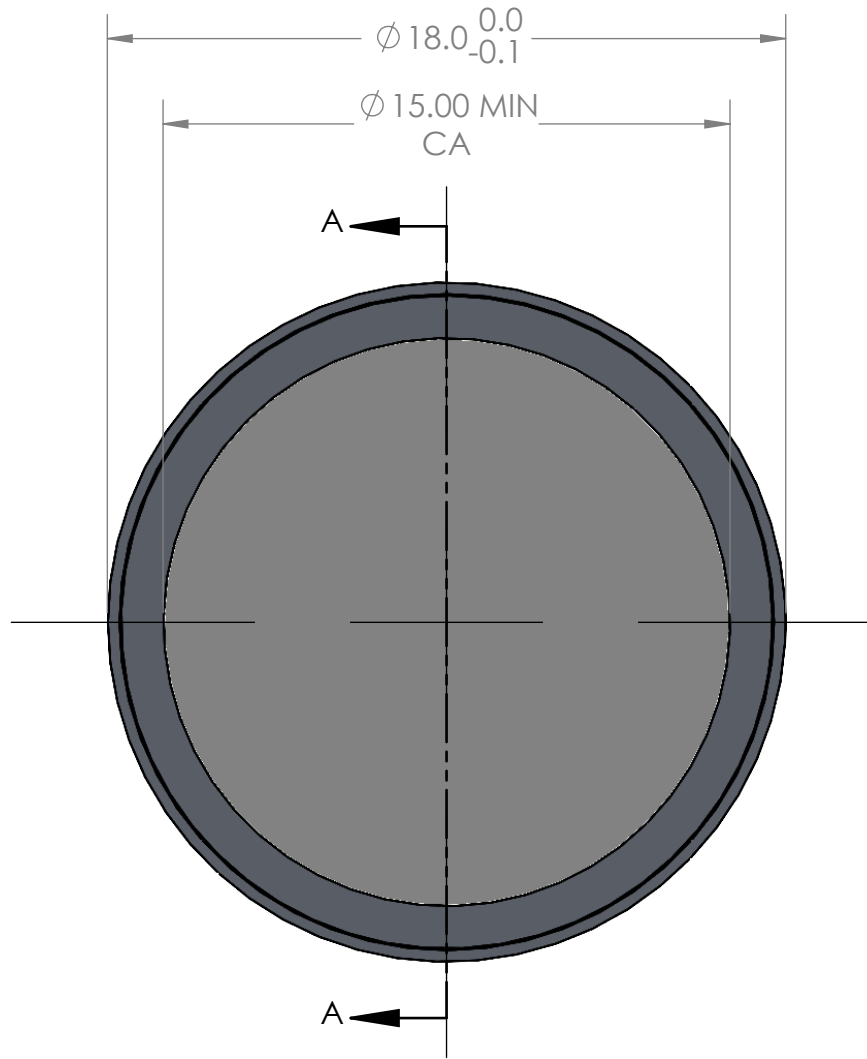
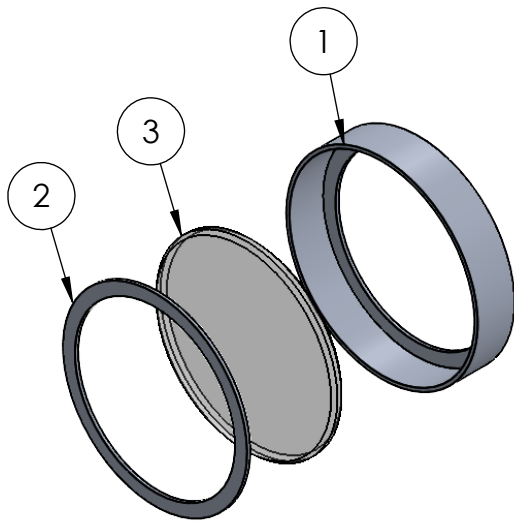



ITEM NO.	DESCRIPTION	QTY.
1	RNG_18_3.5_15	1
2	WSR_18_XX_15	1
3	CHROMA FILTER	1

REVISIONS		
REV	DESCRIPTION	DATE
A	INITIAL RELEASE	2/5/2021



SECTION A-A

TITLE RNGASSM_18_3.5_15_SALES		NAME	DATE	UNLESS OTHERWISE SPECIFIED: DIMENSIONS ARE IN MILLIMETERS TOLERANCES: FRACTIONAL: $\pm 1/64$ ANGULAR: MACH $\pm 0.5^\circ$ BEND $\pm 0.5^\circ$ x. ± 2 .x ± 1 .xx ± 0.05	CHROMA TECHNOLOGY CORP 
ID 004095_SALES		DRAWN BY	CRP		
SCALE 5:1		MTHDS APPR.			
SIZE A	SHEET 1 OF 1	REVISION A	PRD ENG APPR.	N/A	MATERIAL:
COMMENTS			FINISH:		