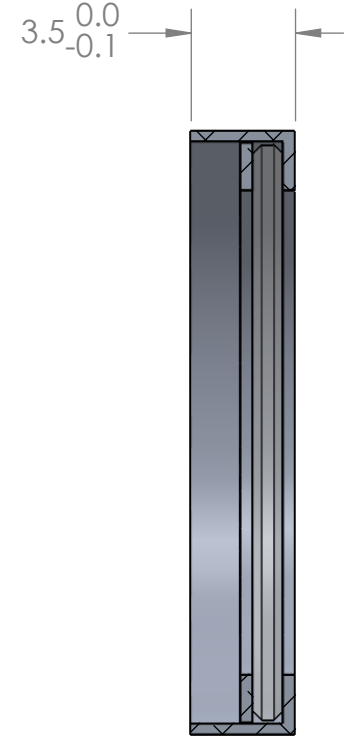
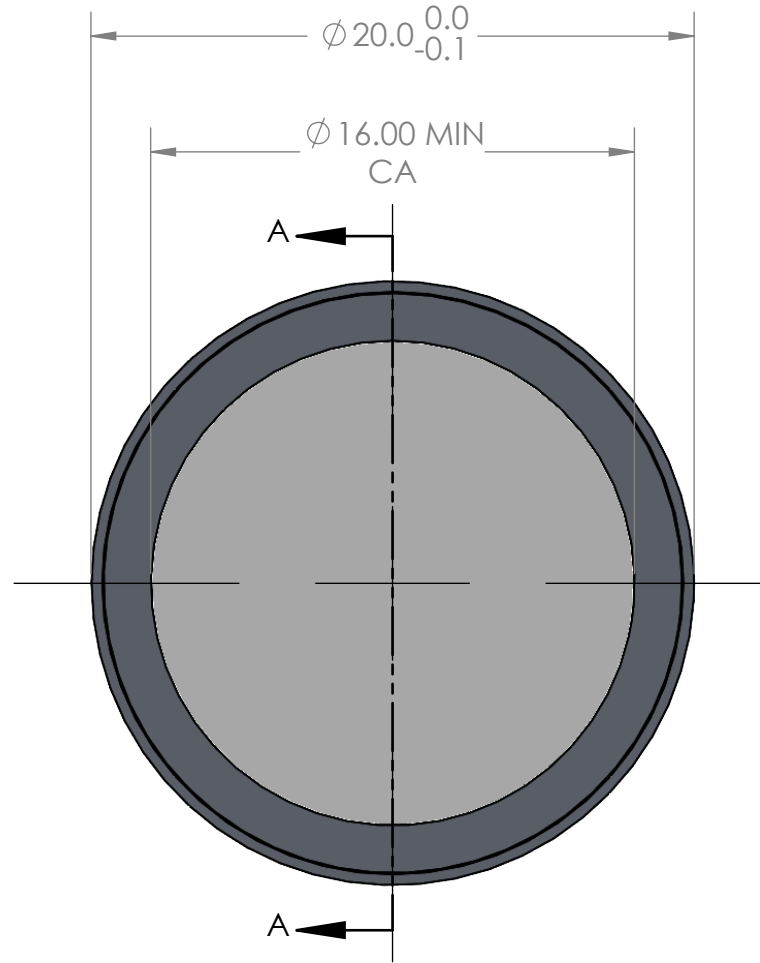
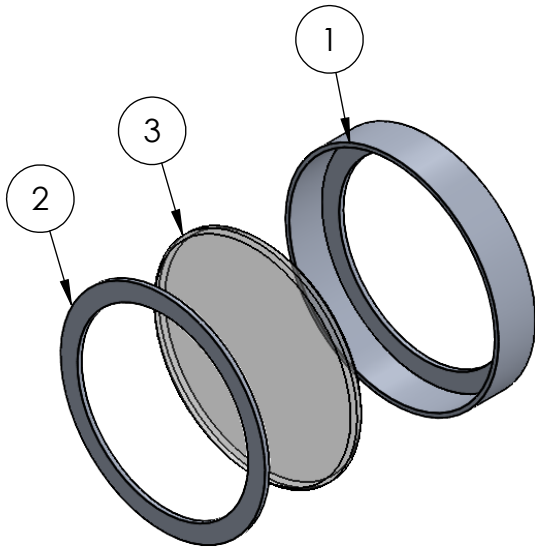


ITEM NO.	DESCRIPTION	QTY.
1	RNG_20_3.5_16	1
2	WSR_20_XX_16	1
3	CHROMA FILTER	1

REVISIONS		
REV	DESCRIPTION	DATE
A	INITIAL RELEASE	2/4/2021



SECTION A-A

TITLE RNGASSM_20_3.5_16_SALES		NAME	DATE	UNLESS OTHERWISE SPECIFIED: DIMENSIONS ARE IN MILLIMETERS TOLERANCES: FRACTIONAL: $\pm 1/64$ ANGULAR: MACH $\pm 0.5^\circ$ BEND $\pm 0.5^\circ$ x. ± 2 .x ± 1 .xx ± 0.05	CHROMA TECHNOLOGY CORP
DRAWN BY		CRP	2/4/2021		
MTHDS APPR.				MATERIAL:	
ENG APPR.					
ID 030995_SALES	SCALE 4:1	PRD ENG APPR.	N/A	FINISH:	
SIZE A	SHEET 1 OF 1	REVISION A	COMMENTS		