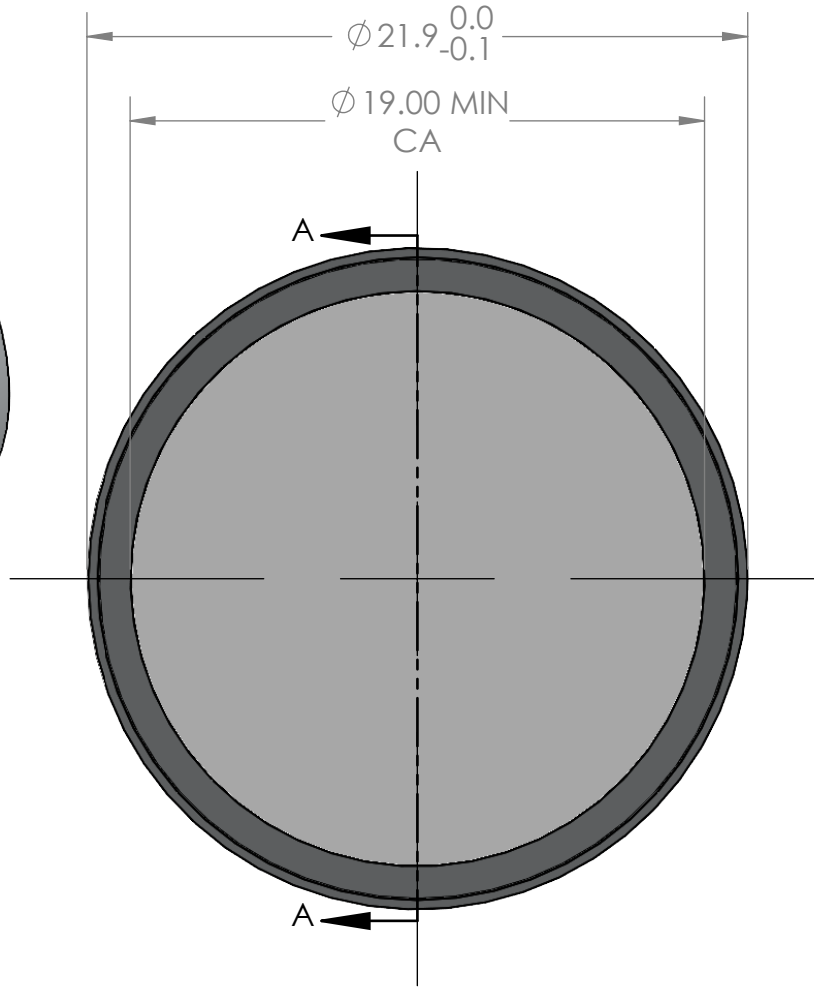
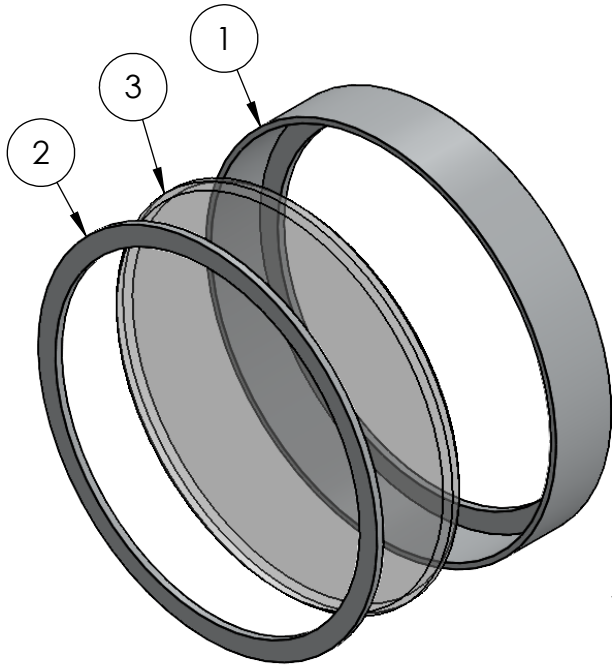


ITEM NO.	DESCRIPTION	QTY.
1	RNG_21.9_3.5_19	1
2	WSR_21.9_XX_19	1
3	CHROMA FILTER	1

REVISIONS		
REV	DESCRIPTION	DATE
A	INITIAL RELEASE	2/1/2021



SECTION A-A

TITLE RNGASSM_21.9_3.5_19_SALES		NAME	DATE	UNLESS OTHERWISE SPECIFIED: DIMENSIONS ARE IN MILLIMETERS TOLERANCES: FRACTIONAL $\pm 1/64$ ANGULAR: MACH $\pm 0.5^\circ$ BEND $\pm 0.5^\circ$.x $\pm .2$.X $\pm .1$.xx $\pm .05$	CHROMA TECHNOLOGY CORP	
DRAWN BY		CRP	2/1/2021			
MTHDS APPR.		SLS	2/1/2021			
ID 030996_SALES		SCALE 4:1	ENG APPR.	NJG	2/1/2021	MATERIAL:
SIZE A	SHEET 1 OF 1	REVISION A	PRD ENG APPR.	N/A	FINISH:	
COMMENTS						

