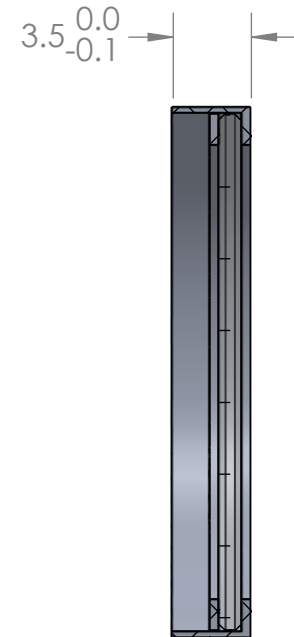
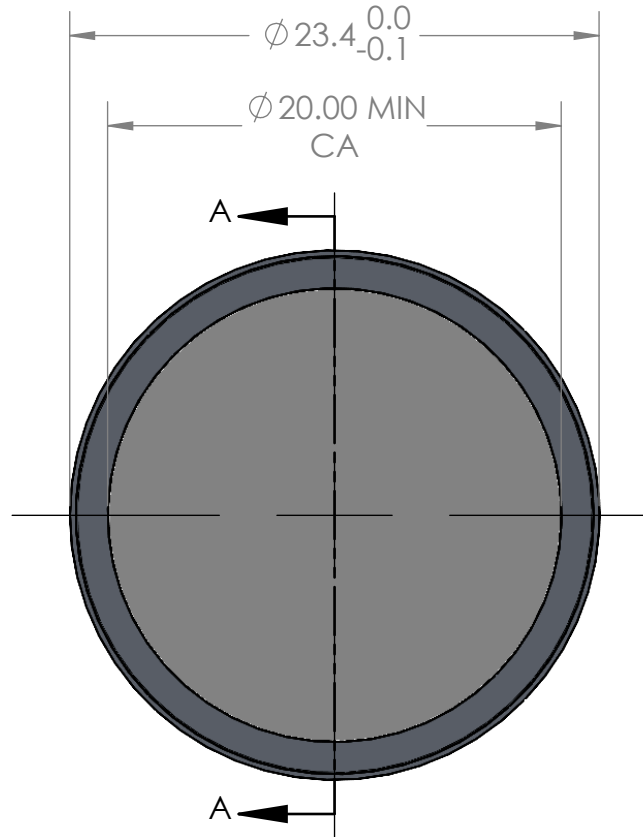
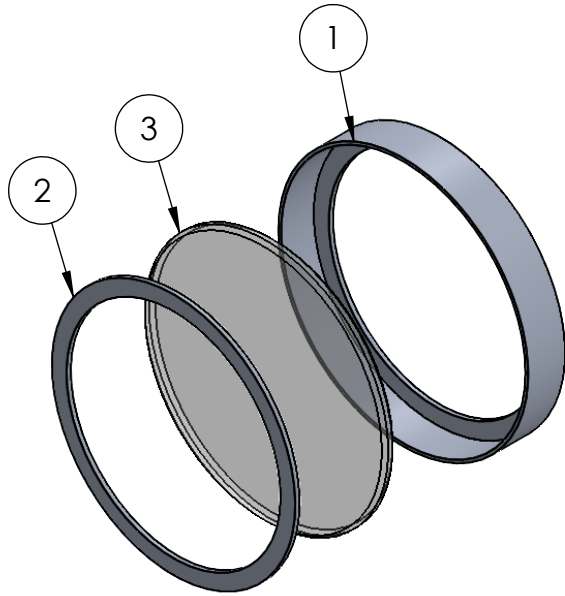



| ITEM NO. | DESCRIPTION     | QTY |
|----------|-----------------|-----|
| 1        | RNG_23.4_3.5_20 | 1   |
| 2        | WSR_23.4_XX_20  | 1   |
| 3        | CHROMA FILTER   | 1   |

| REVISIONS |                 |           |
|-----------|-----------------|-----------|
| REV       | DESCRIPTION     | DATE      |
| A         | INITIAL RELEASE | 4/16/2021 |



|                                    |                 |               |          |   |  |           |
|------------------------------------|-----------------|---------------|----------|---|--|-----------|
| TITLE<br>RNGASSM_23.4_3.5_20_SALES |                 | NAME          | DATE     | UNLESS OTHERWISE SPECIFIED:<br>DIMENSIONS ARE IN MILLIMETERS<br>TOLERANCES:<br>FRACTIONAL: $\pm 1/64$<br>ANGULAR: MACH $\pm 0.5^\circ$ BEND $\pm 0.5^\circ$<br>x. $\pm 2$<br>.x $\pm 1$<br>.xx $\pm 0.05$ | CHROMA TECHNOLOGY CORP<br>SECTION A-A<br> |           |
|                                    |                 | DRAWN BY      | CRP      |   |  | 4/16/2021 |
|                                    |                 | MTHDS APPR.   | SLS      |   |  | 4/16/2021 |
|                                    |                 | ENG APPR.     | NJG      |   |  | 4/16/2021 |
| ID<br>030993_SALES                 | SCALE<br>3:1    | PRD ENG APPR. | N/A      | MATERIAL:   |  |           |
| SIZE<br>A                          | SHEET<br>1 OF 1 | REVISION<br>A | COMMENTS | FINISH:   |  |           |