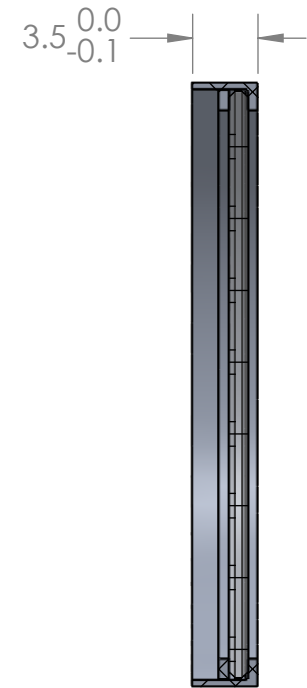
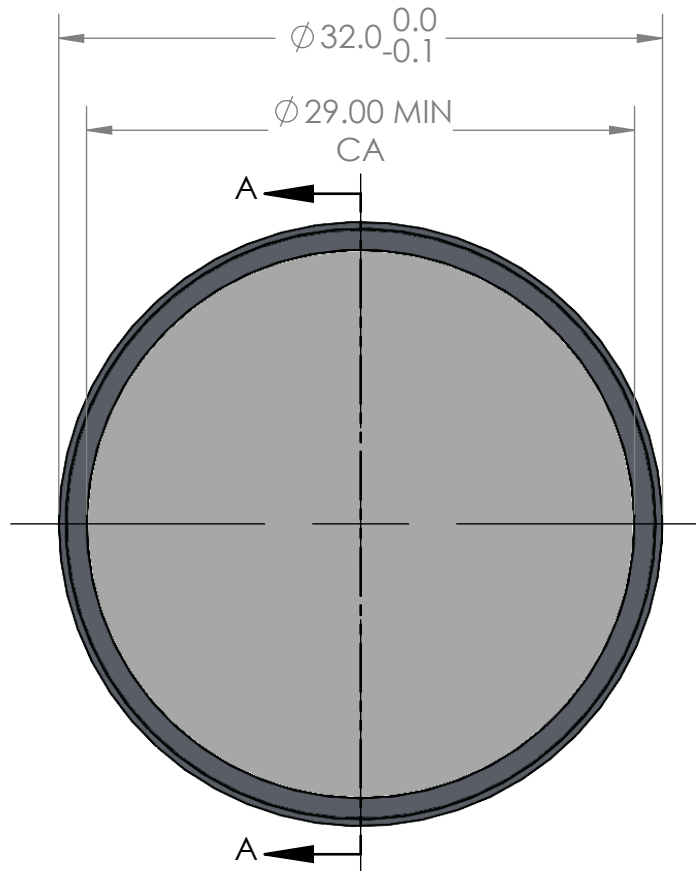
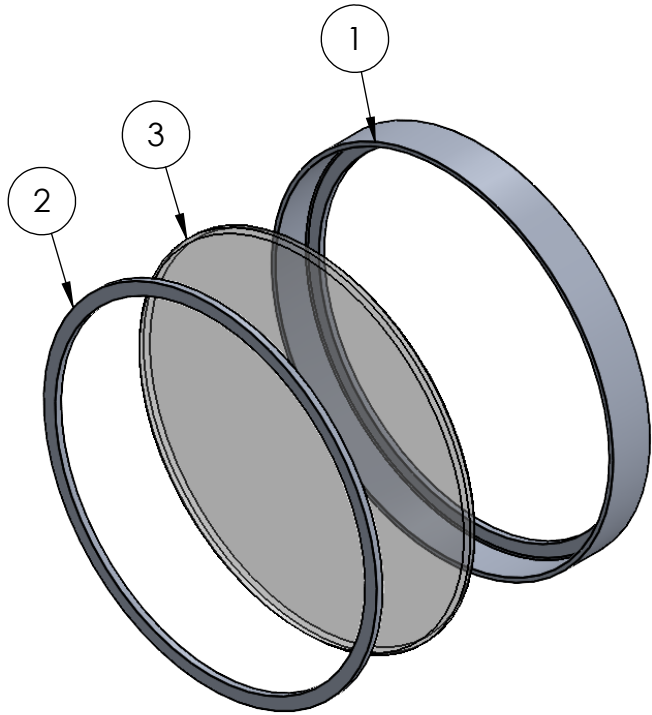



ITEM NO.	DESCRIPTION	QTY
1	RNG_32_3.5_29	1
2	WSR_32_XX_29	1
3	CHROMA FILTER	1

REVISIONS		
REV	DESCRIPTION	DATE
A	INITIAL RELEASE	6/8/2021



SECTION A-A

TITLE RNGASSM_32_3.5_29_SALES		NAME	DATE	UNLESS OTHERWISE SPECIFIED: DIMENSIONS ARE IN MILLIMETERS TOLERANCES: FRACTIONAL: ± 1/64 ANGULAR: MACH ± 0.5° BEND ± 0.5° .x. ± .2 .x. ± .1 .xx ± .05	CHROMA TECHNOLOGY CORP 
DRAWN BY		CRP	6/8/2021		
MTHDS APPR.		SLS	6/8/2021		
ENG APPR.		NJG	6/8/2021		
ID 004360_SALES	SCALE 5:2	PRD ENG APPR.	N/A	MATERIAL:	
SIZE A	SHEET 1 OF 1	REVISION A	COMMENTS	FINISH:	