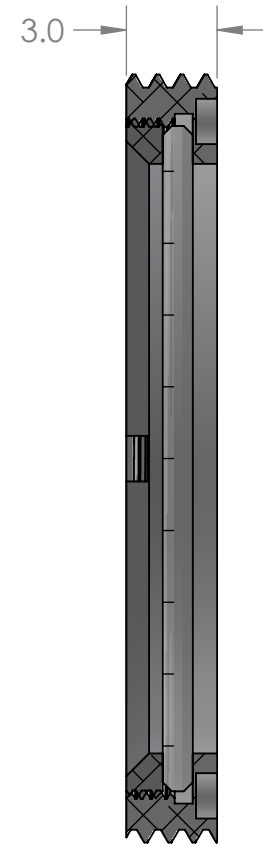
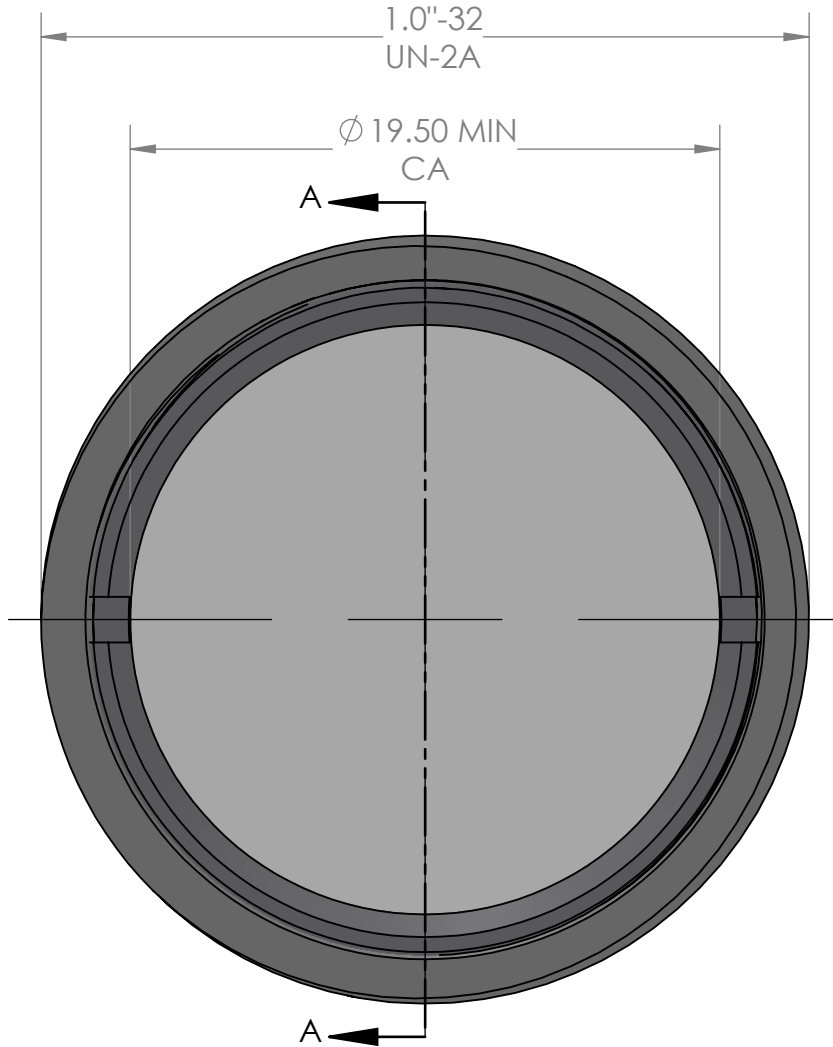
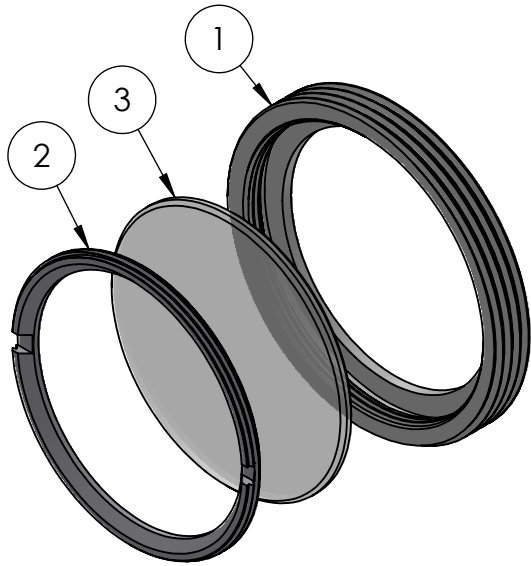


ITEM NO.	DESCRIPTION	QTY.
1	RNG_M25.4_3.0_19.5	1
2	WSR_M25.4_XX_19.5	1
3	CHROMA FILTER	1

REVISIONS		
REV	DESCRIPTION	DATE
A	INITIAL RELEASE	3/16/2021



SECTION A-A

TITLE		NAME		DATE		UNLESS OTHERWISE SPECIFIED: DIMENSIONS ARE IN MILLIMETERS TOLERANCES: FRACTIONAL $\pm 1/64$ ANGULAR: MACH $\pm 0.5^\circ$ BEND $\pm 0.5^\circ$.x $\pm .2$.x $\pm .1$.xx $\pm .05$
RNGASSM_M25.4 C-MOUNT_SALES		DRAWN BY	CRP	3/16/2021		
		MTHDS APPR.	SLS	3/16/2021		
		ENG APPR.	NJG	3/16/2021		
ID	SCALE	PRD ENG APPR.	N/A			MATERIAL:
025691_SALES	4:1					FINISH:
SIZE	SHEET	REVISION	COMMENTS			
A	1 OF 1	A				

CHROMA TECHNOLOGY CORP

