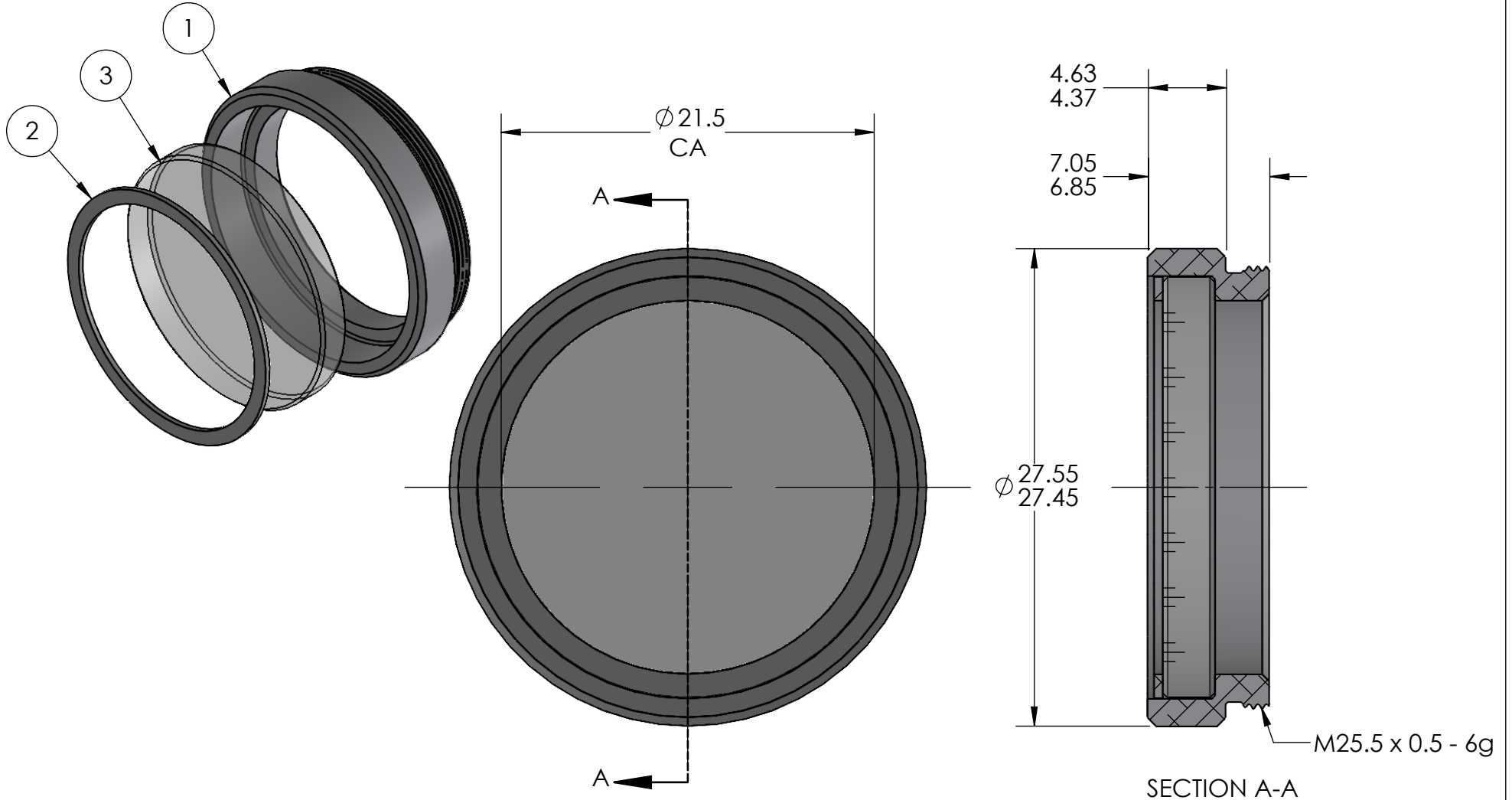


ITEM NO.	PART NUMBER	QTY
1	RNG_M25.5 MV	1
2	WSR_M25.5 MV	1
3	CHROMA FILTER	1

REVISIONS		
REV	DESCRIPTION	DATE
D	UPDATED DRAWING FORMAT	11/18/2016
E	UPDATED RNG_M25.5 MV TO REV B	3/14/2023



TITLE RNGASSM_M25.5 MV W_WASHER_SALES			NAME DRAWN BY CRP	DATE 5/9/2023	UNLESS OTHERWISE SPECIFIED: DIMENSIONS ARE IN MILLIMETERS TOLERANCES: FRACTIONAL: ± 1/64 ANGULAR: MACH ± 0.5° BEND ± 0.5° .x. ± .2 .x. ± .1 .xx ± .05	CHROMA TECHNOLOGY CORP
ID 037551_SALES	SCALE 3:1	MTHDS APPR. NJG	5/9/2023	MATERIAL:		
SIZE A	SHEET 1 OF 1	ENG APPR. JDA	5/9/2023	PRD ENG APPR. N/A	FINISH:	
COMMENTS						