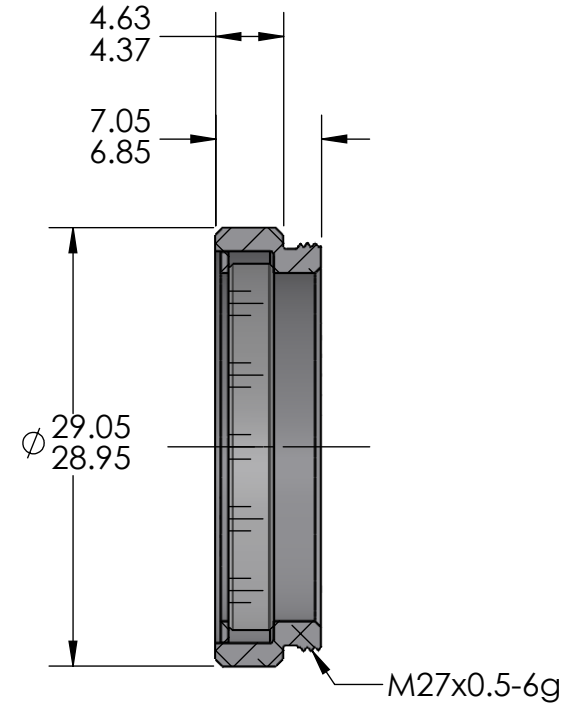
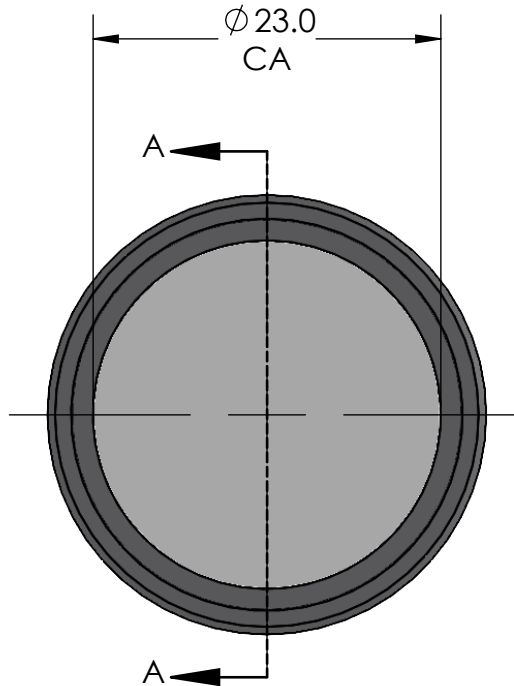
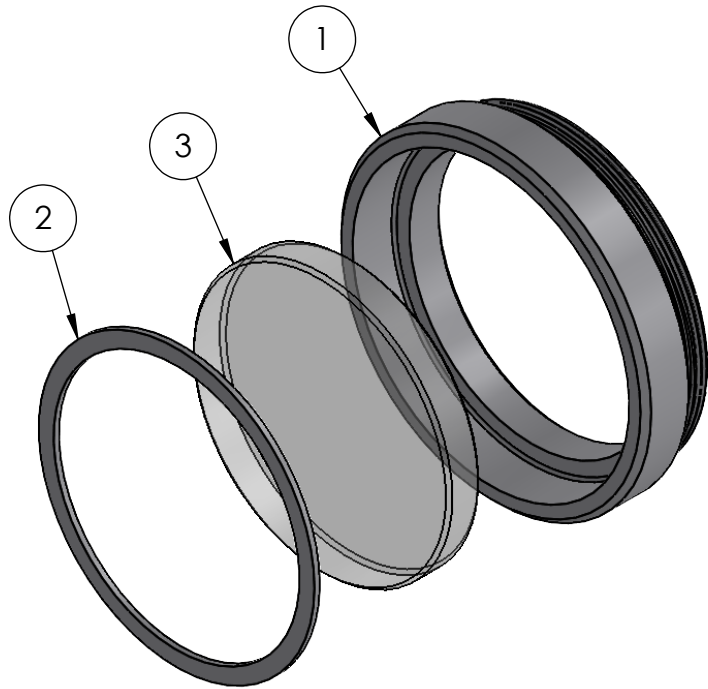



ITEM NO.	DESCRIPTION	QTY
1	RNG_M27 MV	1
2	WSR_M27 MV	1
3	CHROMA FILTER	1

REVISIONS		
REV	DESCRIPTION	DATE
D	INITIAL RELEASE	5/12/2022
E	INCREASED THREAD RELIEF	4/24/2023



SECTION A-A

TITLE		DRAWN BY		NAME	DATE	UNLESS OTHERWISE SPECIFIED: DIMENSIONS ARE IN MILLIMETERS TOLERANCES: FRACTIONAL: $\pm 1/64$ ANGULAR: MACH $\pm 0.5^\circ$ BEND $\pm 0.5^\circ$ x. ± 2 .x ± 1 .xx ± 0.05	CHROMA TECHNOLOGY CORP
RNGASSM_M27 MV W_WASHER_SALES		CRP		5/19/2023			
		MTHDS APPR.		NJG	5/9/2023		
		ENG APPR.		JDA	5/9/2023		
ID	SCALE	PRD ENG APPR.		N/A		MATERIAL:	
037552_SALES	2:1	COMMENTS			FINISH:		
SIZE	SHEET	REVISION					
A	1 OF 1	E					