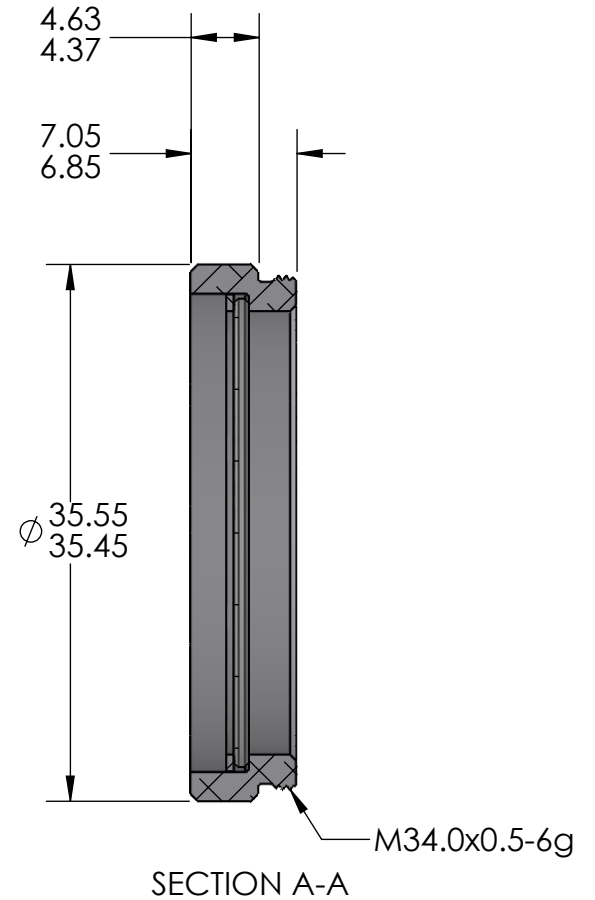
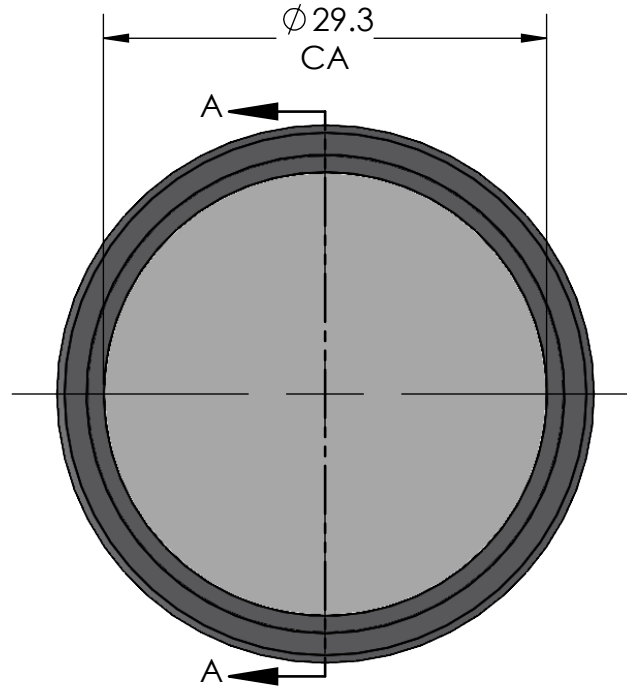
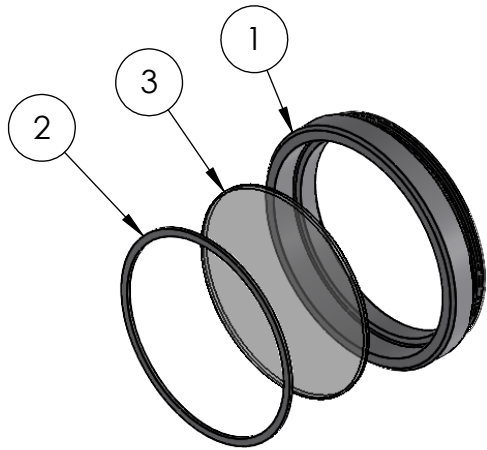


ITEM NO.	DESCRIPTION	QTY
1	RNG_M34 MV	1
2	WSR_M34 MV	1
3	CHROMA FILTER	1

REVISIONS		
REV	DESCRIPTION	DATE
A	INITIAL RELEASE	4/20/2023



TITLE				NAME	DATE	UNLESS OTHERWISE SPECIFIED: DIMENSIONS ARE IN MILLIMETERS TOLERANCES: FRACTIONAL $\pm 1/64$ ANGULAR: MACH $\pm 0.5^\circ$ BEND $\pm 0.5^\circ$.x $\pm .2$.x $\pm .1$.xx $\pm .05$	CHROMA TECHNOLOGY CORP
RNGASSM_M34 MV W_WASHER_SALES		DRAWN BY	CRP	5/9/2023			
ID		MTHDS APPR.	NJG	5/9/2023			
051235_SALES		ENG APPR.	JDA	5/9/2023			
SCALE	2:1	PRD ENG APPR.	N/A		MATERIAL:		
SIZE	A	SHEET	1 OF 1	REVISION	A	COMMENTS	FINISH: