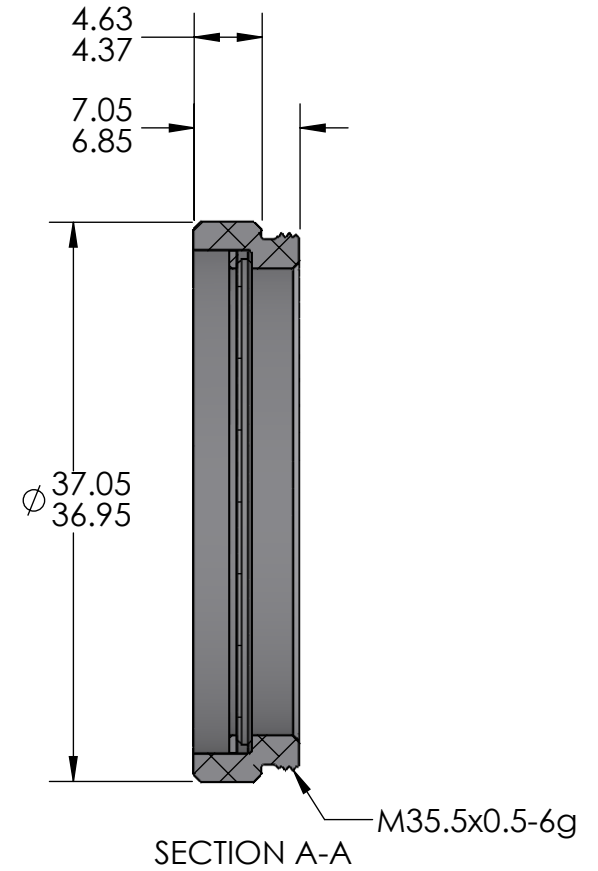
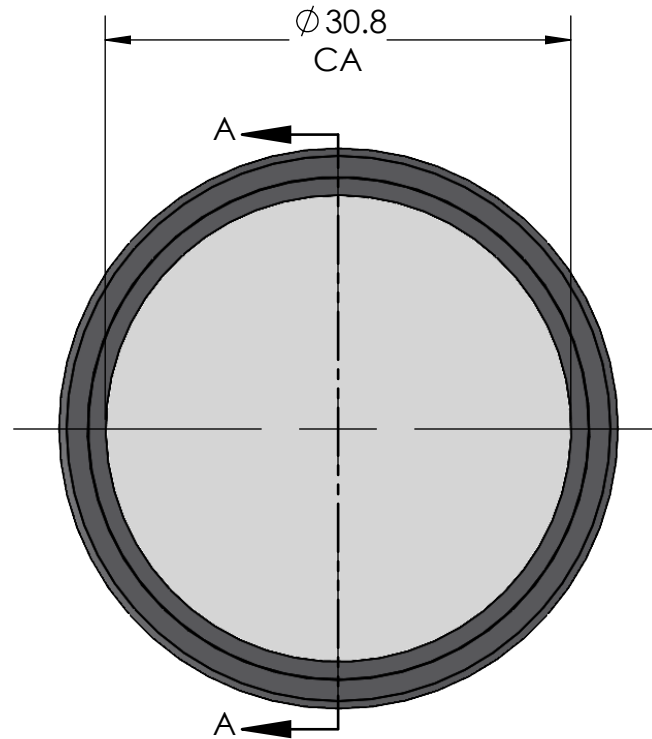
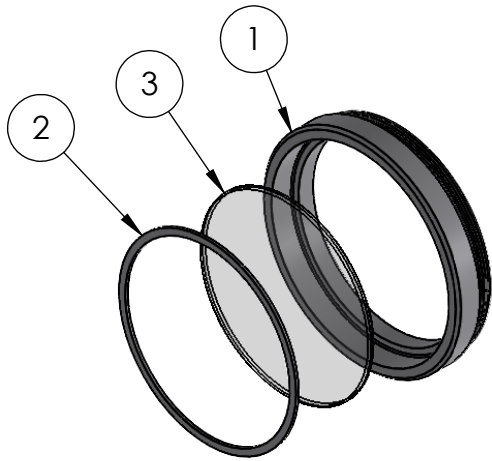



ITEM NO.	DESCRIPTION	QTY
1	RNG_M35.5 MV	1
2	WSR_M35.5 MV	1
3	CHROMA FILTER	1

REVISIONS		
REV	DESCRIPTION	DATE
A	INITIAL RELEASE	2/6/2023



TITLE		DRAWN BY		NAME	DATE	UNLESS OTHERWISE SPECIFIED: DIMENSIONS ARE IN MILLIMETERS TOLERANCES: FRACTIONAL: $\pm 1/64$ ANGULAR: MACH $\pm 0.5^\circ$ BEND $\pm 0.5^\circ$ x. $\pm 2$ .x $\pm 1$ .xx $\pm 0.05$	CHROMA TECHNOLOGY CORP 
RNGASSM_M35.5 MV W_WASHER_SALES		CRP		5/3/2023			
ID		MTHDS APPR.		SLS	5/3/2023		
051240_SALES		ENG APPR.		NJG	5/3/2023		
SCALE	2:1	PRD ENG APPR.		N/A		MATERIAL:	
SIZE	SHEET	REVISION	COMMENTS			FINISH:	
A	1 OF 1	A					