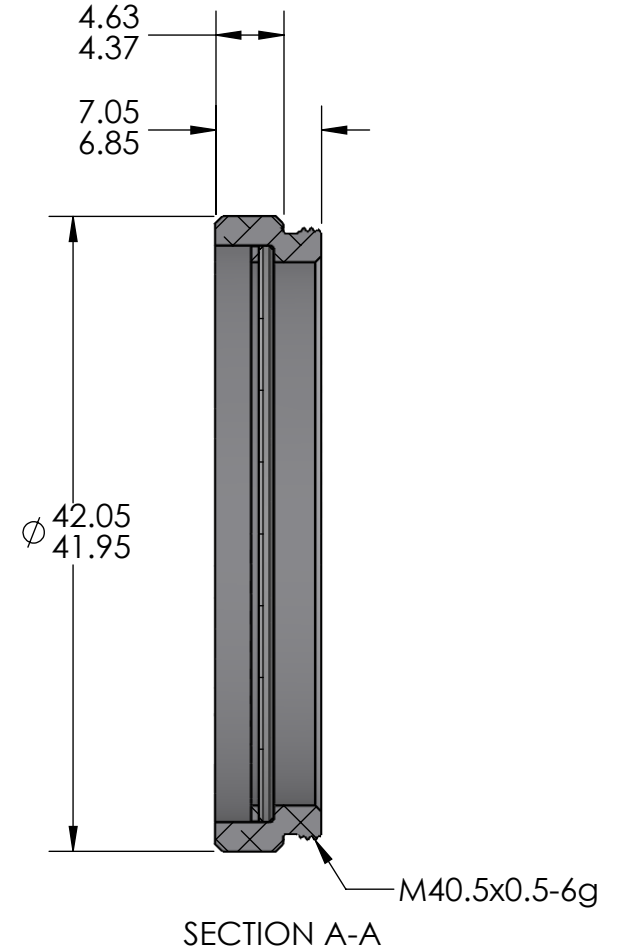
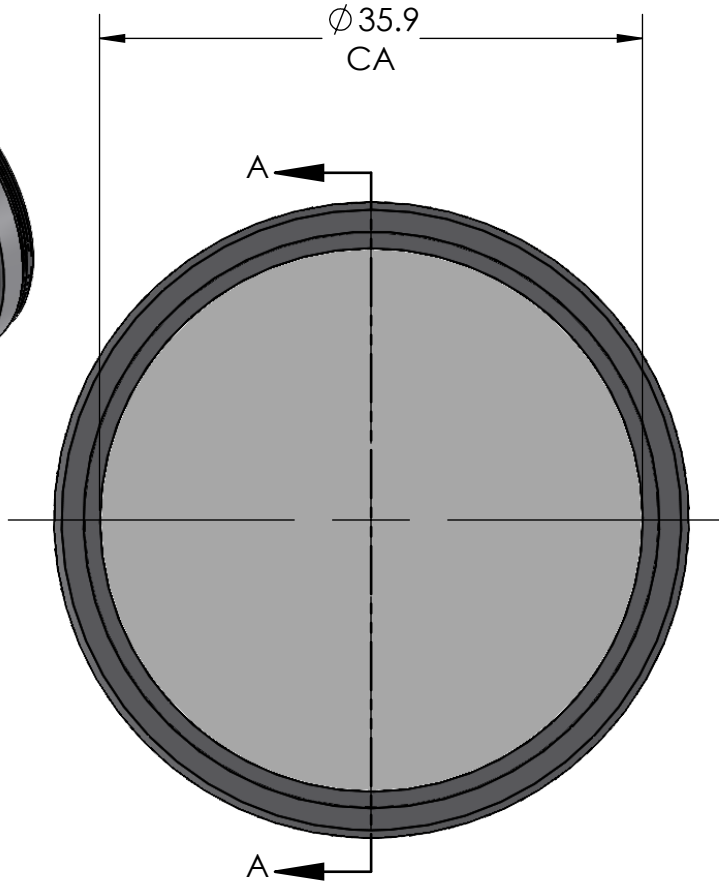
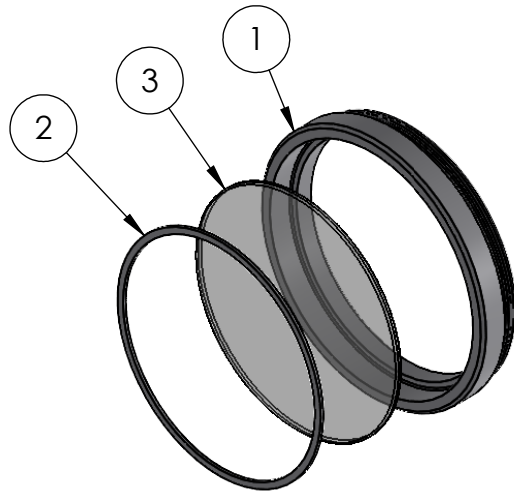



ITEM NO.	DESCRIPTION	QTY
1	RNG_M40.5 MV	1
2	WSR_M40.5 MV	1
3	CHROMA FILTER	1

REVISIONS		
REV	DESCRIPTION	DATE
A	INITIAL RELEASE	4/20/2023



TITLE		DRAWN BY		NAME	DATE	UNLESS OTHERWISE SPECIFIED: DIMENSIONS ARE IN MILLIMETERS TOLERANCES: FRACTIONAL: ± 1/64 ANGULAR: MACH ± 0.5° BEND ± 0.5° .x ± .2 .X ± .1 .xx ± .05	CHROMA TECHNOLOGY CORP
RNGASSM_M40.5 MV W_WASHER_SALES		CRP		5/9/2023			
		MTHDS APPR.		NJG	5/9/2023		
		ENG APPR.		JDA	5/9/2023		
ID	SCALE	PRD ENG APPR.		N/A		MATERIAL:	
049339_SALES	2:1	COMMENTS			FINISH:		
SIZE	SHEET	REVISION					
A	1 OF 1	A					